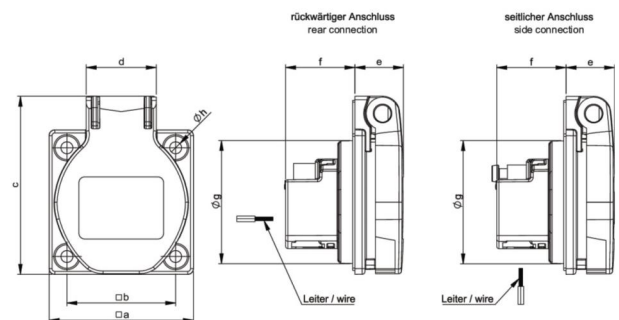


PCE data sheet

| | |
|---------------------|---|
| article# | 1040-0b |
| article description | Safety socket franz./belg. P-NOVA+ |
| description long | PNova + belgisch/französisch rübwärtiger Anschluss blau PCE Flansch 50x50 |
| GTIN (EAN) | 9003399020490 |
| country of origin | LK |
| customs number | 85366990 |
| net weight | 0.045 kg |
| packaging quantity | 100 |

| | |
|---|---------------|
| ETIM 7.0 | EC001325 |
| Model | Earthing pin |
| Material | Plastic |
| Material quality | Thermoplastic |
| Flange size | 50x50 mm |
| With hinged lid | True |
| For heavy conditions (in accordance with VDE) | True |
| Degree of protection (IP) | IP54 |
| Angle of plug | Straight |
| Connection system | Schraubklemme |
| Colour | Blue |
| Number of poles | 3 |
| Nominal current | 16 A |
| Nominal voltage | 250 V |



www.manufacturer-safety.info