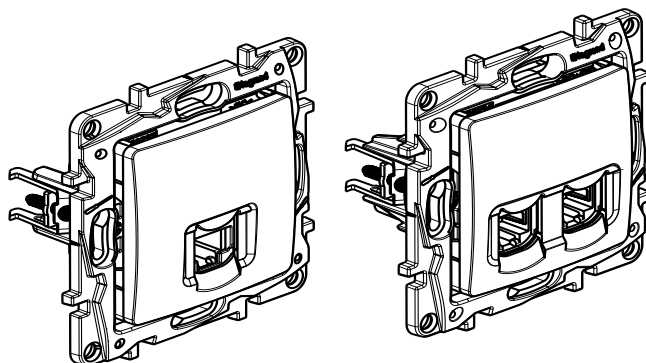


Niloe™
RJ socket

Catalogue numbers: **7 645 69/70/71 - 7 646 69/70/71**
7 647 69



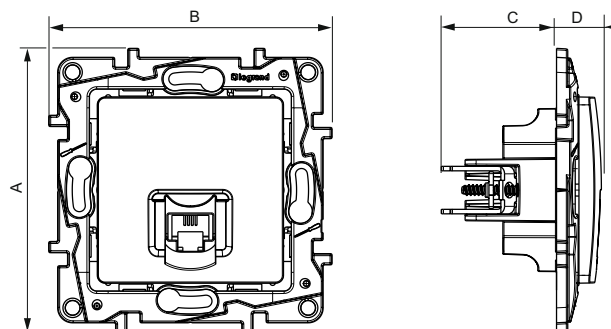
1. USE

RJ 45 sockets:
 - RJ 45 Cat. 5 - 8 UTP contacts: telephone, IT.
 - RJ 11 - 4 contacts: telephone
 Mechanisms to be fitted with finishing plates.
 Flush or surface-mounting.
 Claw or screw fixing.

2. RANGE

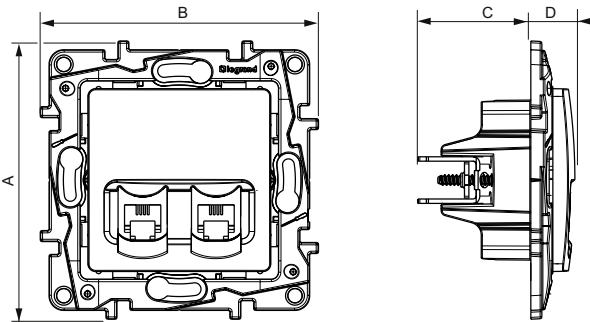
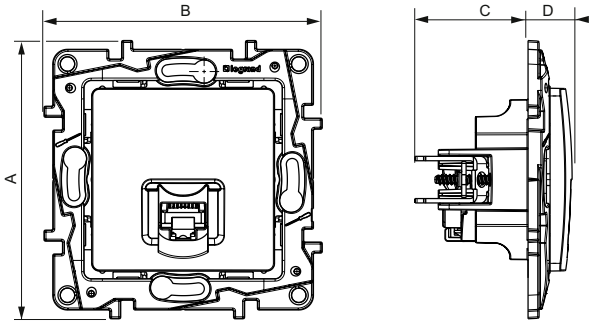
RJ11 SOCKETS			
Description	White	Ivory	Brown
RJ11 socket	7 645 69	7 646 69	7 647 69
RJ11 + RJ45 Cat 5e UTP socket	7 645 70	7 646 70	
RJ45 SOCKETS			
Description	White	Ivory	Brown
RJ45 Cat 5e UTP socket	7 645 71	7 646 71	

3. DIMENSIONS (mm)



Catalogue numbers		A	B	C	D
RJ 11	7 64X 69	75.8	75.8	30.8	12

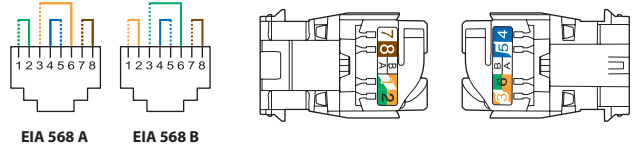
3. DIMENSIONS (mm) (continued)



Catalogue numbers		A	B	C	D
RJ45 Cat 5e UTP	7 64X 71	75.8	75.8	30.8	12
RJ11 + RJ45 Cat 5e UTP	7 64X 70				

4. CONNECTION

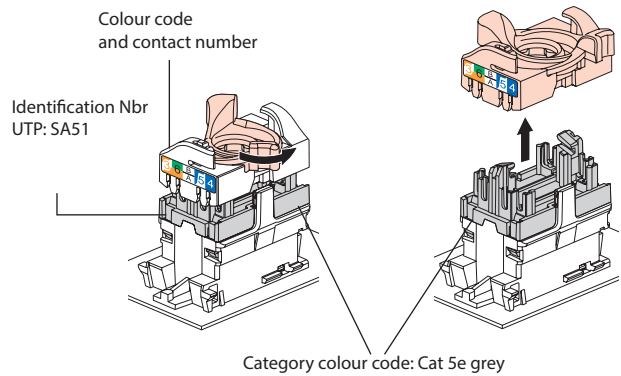
Accepts the following cable connectors:
 RJ 11 (4 contacts), RJ 12 (6 contacts), RJ 45 (9 contacts).
 Double colour code EIA - TIA 568 A and B on terminals:
 UTP 8 contacts



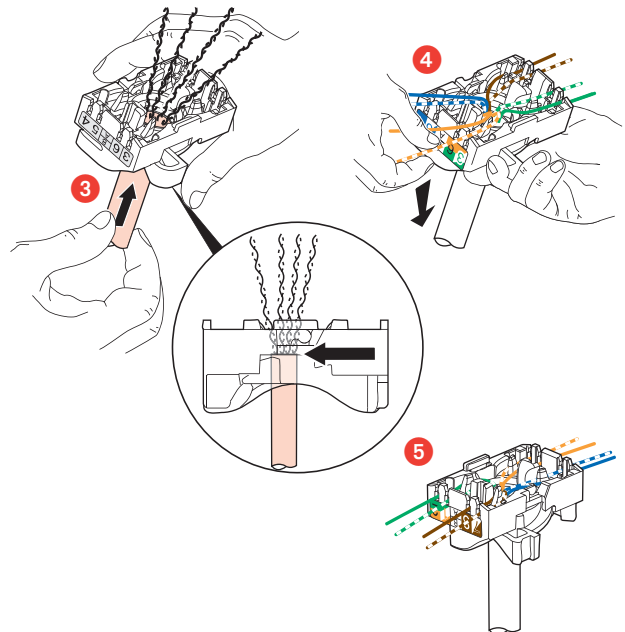
Conductors supported:

- Single-wire: 0.5 to 0.65 mm, AWG 22 to 26
- Multiple-wire: AWG 26
- Polyethylene conductor insulation: max. Ø with insulation 1.58 mm

RJ 45 connectors are equipped with a locking nut that does not require the use of a specific tool and which enables re-cabling in the event of error.



This system allows the wire pairs to be spread easily before mounting them on the connector.



Spreading cables ensures that each pair is separated by the specified 13 mm.
 Spreading pairs by 90° in relation to the cable ensures optimum performance.

5. TECHNICAL CHARACTERISTICS

5.1 Mechanical characteristics

Protection against solid bodies and liquids: IP 20
Protection against impacts: IK 04

5.2 Material characteristics

Poly gloss appearance
Colour: White, Aluminium, Grey, Ivory
Material:

- Plate: ABS
- Socket cover plate: Polycarbonate
- Halogen-free
- UV resistant

Self-extinguishing:

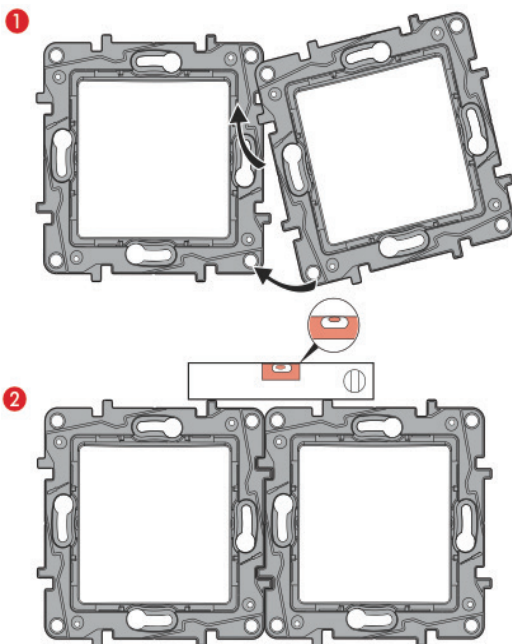
- +850°C/30 sec for insulating parts holding live parts in place.
- + 650°C/30 sec for other parts made of insulating materials.

5.3 Climate characteristics

Storage and operating temperature: -5°C to +35°C

5.4 Support characteristics

Material: RAL 737 grey halogen-free polycarbonate
High impact resistance and torsional strength due to the thickness of the support.
Easy guidance for positioning the mechanisms.
Horizontal or vertical alignment without lifting up the mechanisms too much.



6. CARE

Clean the surface with a cloth.
Do not use: acetone, tar-removing cleaning agents or trichloroethylene.

Warning: Always test before using other special cleaning products.

7. STANDARDS AND APPROVALS

Clean the surface with a cloth.
Do not use: acetone, tar-removing cleaning agents or trichloroethylene.

RJ45: Meets standards: ISO 11801 Edition 2
 CENELEC EN 50173-1 2007
 ANSI/TIA 568 C.2
 ISO/IEC series 60603-7